

CAST IRON STRAINER

50mm – 300mm

SPECIFICATIONS

Recommended use	The Dura line strainer is applicable to water, oil and gas. It's function is to allow scale and dirt residue to be caught, preventing the chance of damage to equipment. The strainer allows full flow of liquid with only minimal pressure loss. The removable cover allows easy access to the basket for cleaning.
Temperature Range	-10oC - 120oC
Max Working Pressure	1600kPa @ 65oC
Standards	Flange - AS2129
Lic. No.	
Warranty	12 Months

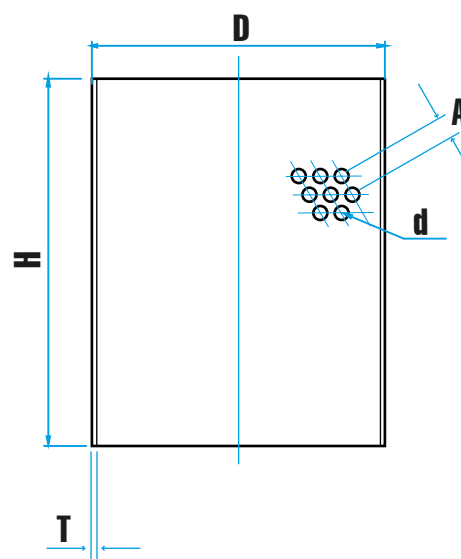


PHYSICAL SPECIFICATIONS

Body	Cast Iron w/Epoxy Coating
Cover	Cast Iron w/Epoxy Coating
Gasket	Graphite
Filter Screen	Stainless Steel 304
Plug	Bronze
Bolts	Mild Steel Grade 4.8 Zinc Plated

FILTER SCREEN DIMENSIONS

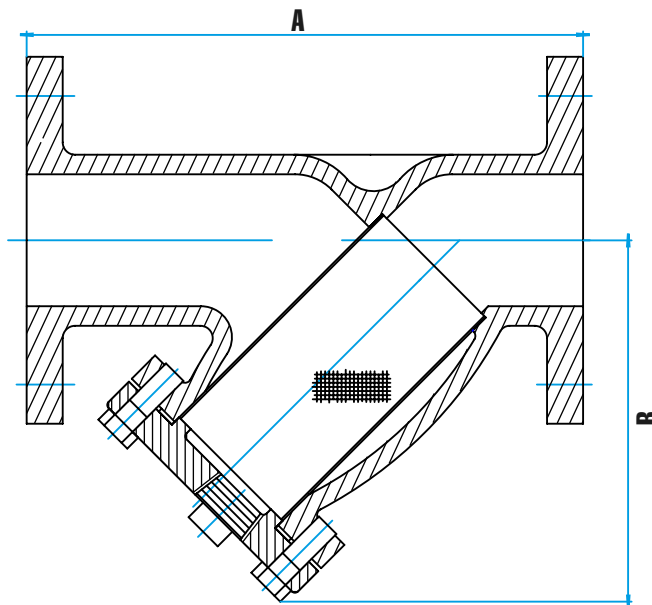
SIZE	D	H	A	d	T	Free Flow Area
DN	mm	mm	mm	mm	mm	%
50	55	105	2.8	1.5	0.5	33
65	71	132	2.8	1.5	0.5	33
80	78.5	148	2.8	1.5	1.0	33
100	103	196	4.5	3.0	1.0	40
125	128	234	4.5	3.0	1.0	40
150	156	229	4.5	3.0	1.0	40
200	208	324	4.5	3.0	1.0	40
250	263	388	4.5	3.0	1.0	40
300	314	412	4.5	3.0	1.0	40



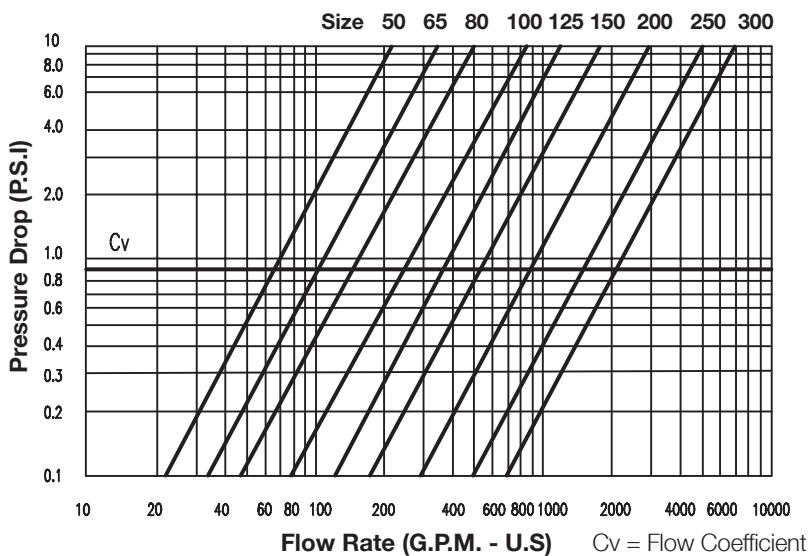
CAST IRON STRAINER

SPECIFICATIONS					
Product Code	Product Description	A	B	PLUG	WEIGHT
		mm	mm	bsp	kg
9501000	DURA CAST IRON STRAINER 50MM	230	146	1/2"	10
9501001	DURA CAST IRON STRAINER 65MM	273	174	1"	16
9501002	DURA CAST IRON STRAINER 80MM	295	198	1"	23.5
9501003	DURA CAST IRON STRAINER 100MM	352	232	1"	34
9501004	DURA CAST IRON STRAINER 125MM	416	285	1 1/4"	52
9501005	DURA CAST IRON STRAINER 150MM	470	305	1 1/2"	70
9501006	DURA CAST IRON STRAINER 200MM	543	401	1 1/2"	110
9501007	DURA CAST IRON STRAINER 250MM	660	473	2"	185
9501008	DURA CAST IRON STRAINER 300MM	770	554	2"	295

PRODUCT CONFIGURATION



FLOW CHART



Disclaimer Products in this specification manual must by regulation be installed by licensed and registered trade people. The manufacturer/distributor reserves the right to vary specifications or delete models from their range without prior notification. Dimensions and set-outs listed are correct at time of publication however the manufacturer/distributor takes no responsibility for printing errors.